



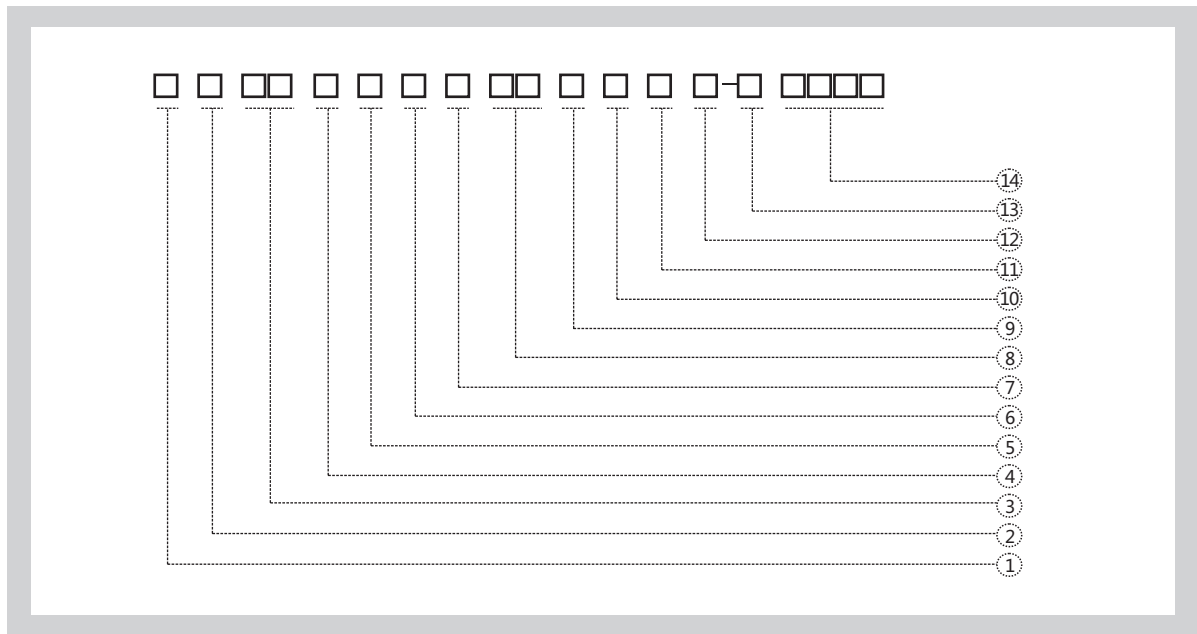
## **LANBAO SENSOR** complete solution for the sensors

Established in 1998, Shanghai Lanbao Sensing Technology Co., Ltd. is a leading industrial automation products supplier in China. Our main businesses are industrial sensors R&D, production, sales and application, providing customers with standard and individual products and systems. Lanbao industrial sensors cover over 30 series, 3000 specifications, main products are inductive sensors, photoelectric sensors, capacitive sensors and pressure sensors. Lanbao has been making continuous breakthrough in new technology and new material application, which laid the foundation of its leading position in sensing technology.

Lanbao is an ISO9001:2008 quality management system and EU RoHS environmental directives implemented enterprise. Our series products are with CE, UL and CCC certification. The strict tests in function, quality, reliability and production feasibility at the design stage of each product and the strict quality management in production ensure excellent quality products.

Focus on innovation, quality, service and global market, Lanbao insists on creating maximal value for customers.

## Naming rules



### 1. Type Code

C:Capacitive

### 2. Shape Code

R:Threaded cylindrical  
Q:Smooth cylindrical  
E:Rectangular

### 3. Size Code

Number:Housing diameter  
e.g: 08:M8

### 4. Housing Material

N/A:Copper  
S:Plastic  
G:Stainless steel

### 5. Housing Length

A:Short  
B:Standard  
C:Long

### 6. Mounting

N:Non-flush(nf)  
F:Flush(f)

### 7. Sensing Distance

02:2mm  
04:4mm  
10:10mm

### 8. Supply Voltage

A:20...250VAC  
D:10...30VDC  
E:10...60VDC  
M:18...36VDC  
S:20...250VAC/DC

### 9. Output Way

B:AC/DC 2 wires  
T:AC 2 wires  
P:PNP  
N:NPN

E:NPN/PNP

F:NPN+PNP

K:Relay

### 10. Output Status

A:NO/NC reversible  
B:NO/NC optional  
Cable optional;Potentiometer optional  
O:NO  
C:NC  
R:NO+NC  
Note:Relay output is optional

### 11. By Sensor Function

N/A:Standard function  
Y:Extended sensing distance  
T1:On-delay function  
T160:60s  
T1600:600s  
T2:Off-delay function  
T260:60s  
T2600:600s

### 12. Cable Length

N/A:2m  
3M:3m

### 13. Connection

N/A:2M cable  
E1:M8 connector (3 pins)  
E2:M12 connector (4 pins)  
E3:M8 connector (4 pins)  
E4:M12 trapezoid connector (4 pins)  
E5:M12 connector (5 pins)  
D:Terminal

### 14. Special Requirement

In 4 Digits

## Wiring diagram

DC 3Wires	NPN NO	NPN NC	PNP NO	PNP NC
Lead cable				
M12 Connector				

DC 4Wires	NPN NO+NC	PNP NO+NC		
Lead cable				
M12 Connector				

AC 2Wires	SCR NO	SCR NC		
Lead cable				
M12 Connector				

AC/DC 2Wires	NO	NC	NO/NC	
Lead cable				
M12 Connector				

AC/DC 5Wires	Lead cable	Terminal connect		
Relay				

Remarks

Connector	M8 Connector	M12 Connector		

# Capacitive sensors

## Standard function

plastic type

P.18

Model	Output	Supply Voltage	Mounting	Sensing Distance	Dimension	Housing Material	Connection
-------	--------	----------------	----------	------------------	-----------	------------------	------------

### DC 3/4Wires

P.18

CR12S	DC 3Wires	DC10-30V	f/nf	2mm,4mm	M12*1*52	PBT	Cable
CR12S	DC 3Wires	DC10-30V	f/nf	2mm,4mm	M12*1*65	PBT	M12 Connector
CR18S	DC 3/4Wires	DC10-30V	f/nf	5mm,8mm	M18*1*70	PBT	Cable
CR18S	DC 3/4Wires	DC10-30V	f/nf	5mm,8mm	M18*1*83.5	PBT	M12 Connector
CR30S	DC 3/4Wires	DC10-30V	f/nf	10mm,15mm	M30*1.5*62	PBT	Cable
CR30S	DC 3/4Wires	DC10-30V	f/nf	10mm,15mm	M30*1.5*79	PBT	M12 Connector
CQ20S	DC 3/4Wires	DC10-30V	f/nf	10mm,15mm	Φ20*80	PBT	Cable
CQ32S	DC 3/4Wires	DC10-30V	f/nf	15mm,20mm	Φ32*80	PBT	Cable
CQ34S	DC 3/4Wires	DC10-30V	f/nf	15mm,20mm	Φ34*80	PBT	Cable

### AC 2Wires

P.23

CR18S	AC 2Wires	AC20-250V	f/nf	5mm,8mm	M18*1*70	PBT	Cable
CR18S	AC 2Wires	AC20-250V	f/nf	5mm,8mm	M18*1*83.5	PBT	M12 Connector
CR30S	AC 2Wires	AC20-250V	f/nf	10mm,15mm	M30*1.5*62	PBT	Cable
CR30S	AC 2Wires	AC20-250V	f/nf	10mm,15mm	M30*1.5*79	PBT	M12 Connector
CQ20S	AC 2Wires	AC20-250V	f/nf	10mm,15mm	Φ20*80	PBT	Cable
CQ32S	AC 2Wires	AC20-250V	f/nf	15mm,20mm	Φ32*80	PBT	Cable
CQ34S	AC 2Wires	AC20-250V	f/nf	15mm,20mm	Φ34*80	PBT	Cable

### AC/DC 2Wires

P.27

CR30S	AC/DC 2Wires	AC/DC20-250V	nf	15mm	M30*1*62	PBT	Cable
CR30S	AC/DC 2Wires	AC/DC20-250V	nf	15mm	M30*1*79	PBT	M12 Connector
CQ32S	AC/DC 2Wires	AC/DC20-250V	nf	20mm	Φ32*80	PBT	Cable
CQ34S	AC/DC 2Wires	AC/DC20-250V	nf	20mm	Φ34*80	PBT	Cable

### Rectangular type

P.29

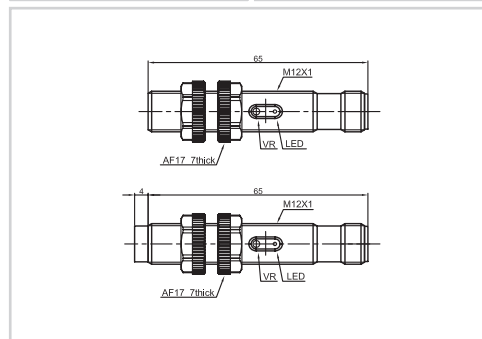
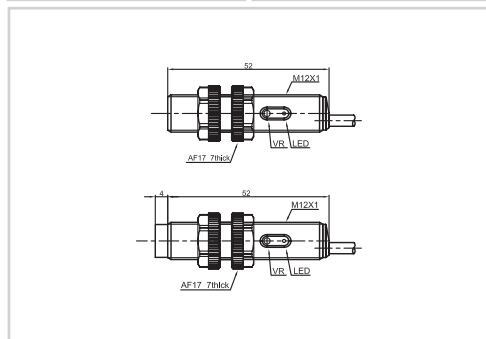
CE07	DC 3Wires	DC10-30V	f/nf	5mm,8mm	30*7*50	PBT	Cable
CE34	DC 3Wires	DC10-30V	nf	10mm	50*7*20	PBT	Cable
CE35	DC 3/4Wires	DC10-30V	f/nf	10mm,15mm	35*15*50	PBT	Cable

Item Code	CR12S		CR12S	
Mounting	● Flush	◐ Non-flush	● Flush	◐ Non-flush
Sensing distance	2mm	4mm	2mm	4mm



Output	NPN NO	CR12SCF02DNO	CR12SCN04DNO	CR12SCF02DNO-E2	CR12SCN04DNO-E2
	NPN NC	CR12SCF02DNC	CR12SCN04DNC	CR12SCF02DNC-E2	CR12SCN04DNC-E2
Output	PNP NO	CR12SCF02DPO	CR12SCN04DPO	CR12SCF02DPO-E2	CR12SCN04DPO-E2
	PNP NC	CR12SCF02DPC	CR12SCN04DPC	CR12SCF02DPC-E2	CR12SCN04DPC-E2

Technical Parameter				
Supply voltage	10...30 VDC	10...30 VDC	10...30 VDC	10...30 VDC
Switch point drift	< ±20% Sr	< ±20% Sr	< ±20% Sr	< ±20% Sr
Load current	<200mA	<200mA	<200mA	<200mA
Voltage drop	<2.5V	<2.5V	<2.5V	<2.5V
Consumption current	<15mA	<15mA	<15mA	<15mA
Hysteresis	3...20%	3...20%	3...20%	3...20%
Repeat accuracy	<3%	<3%	<3%	<3%
Frequency	50Hz	50Hz	50Hz	50Hz
Output indicator	Yellow LED	Yellow LED	Yellow LED	Yellow LED
Polarity protection	yes	yes	yes	yes
Impulse voltage withstand	1000V/AC 50/60Hz 60s	1000V/AC 50/60Hz 60s	1000V/AC 50/60Hz 60s	1000V/AC 50/60Hz 60s
Short-circuit protection	yes	yes	yes	yes
Ambient temperature	-25...+70°C	-25...+70°C	-25...+70°C	-25...+70°C
Ambient moisture	35...95%	35...95%	35...95%	35...95%
Protection degree	IP67	IP67	IP67	IP67
Housing material	PBT	PBT	PBT	PBT
Connection	2m PVC Cable	2m PVC Cable	M12 Connector	M12 Connector
Certification	CE	CE	CE	CE

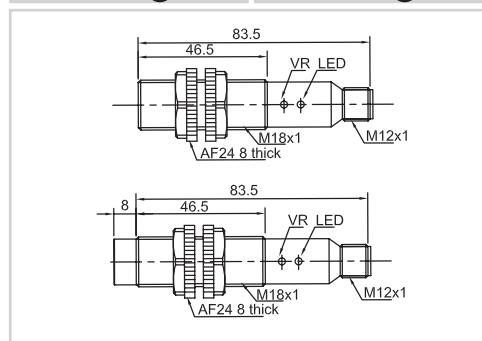
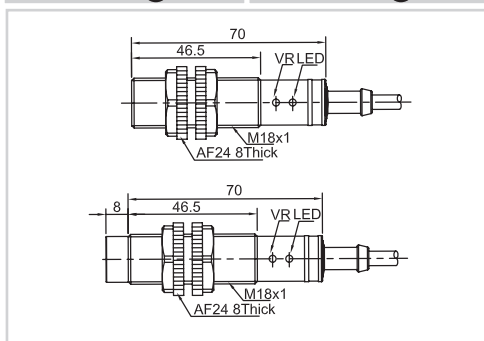


Item Code	CR18S		CR18S	
Mounting	● Flush	◐ Non-flush	● Flush	◐ Non-flush
Sensing distance	5mm	8mm	5mm	8mm



Output	NPN NO	CR18SCF05DNO	CR18SCN08DNO	CR18SCF05DNO-E2	CR18SCN08DNO-E2
	NPN NC	CR18SCF05DNC	CR18SCN08DNC	CR18SCF05DNC-E2	CR18SCN08DNC-E2
	NPN NO+NC	CR18SCF05DNR	CR18SCN08DNR	CR18SCF05DNR-E2	CR18SCN08DNR-E2
Output	PNP NO	CR18SCF05DPO	CR18SCN08DPO	CR18SCF05DPO-E2	CR18SCN08DPO-E2
	PNP NC	CR18SCF05DPC	CR18SCN08DPC	CR18SCF05DPC-E2	CR18SCN08DPC-E2
	PNP NO+NC	CR18SCF05DPR	CR18SCN08DPR	CR18SCF05DPR-E2	CR18SCN08DPR-E2

Technical Parameter				
Supply voltage	10...30 VDC	10...30 VDC	10...30 VDC	10...30 VDC
Switch point drift	< ±20% Sr	< ±20% Sr	< ±20% Sr	< ±20% Sr
Load current	<200mA	<200mA	<200mA	<200mA
Voltage drop	<2.5V	<2.5V	<2.5V	<2.5V
Consumption current	<15mA	<15mA	<15mA	<15mA
Hysteresis	3...20%	3...20%	3...20%	3...20%
Repeat accuracy	<3%	<3%	<3%	<3%
Frequency	50Hz	50Hz	50Hz	50Hz
Output indicator	Yellow LED	Yellow LED	Yellow LED	Yellow LED
Polarity protection	yes	yes	yes	yes
Impulse voltage withstand	1000V/AC 50/60Hz 60s	1000V/AC 50/60Hz 60s	1000V/AC 50/60Hz 60s	1000V/AC 50/60Hz 60s
Short-circuit protection	yes	yes	yes	yes
Ambient temperature	-25...+70°C	-25...+70°C	-25...+70°C	-25...+70°C
Ambient moisture	35...95%	35...95%	35...95%	35...95%
Protection degree	IP67	IP67	IP67	IP67
Housing material	PBT	PBT	PBT	PBT
Connection	2m PVC Cable	2m PVC Cable	M12 Connector	M12 Connector
Certification	CE U <sub>L</sub>	CE U <sub>L</sub>	CE U <sub>L</sub>	CE U <sub>L</sub>

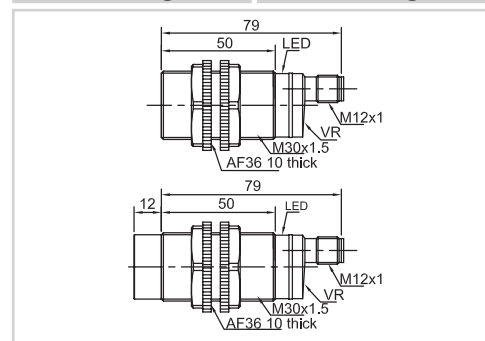
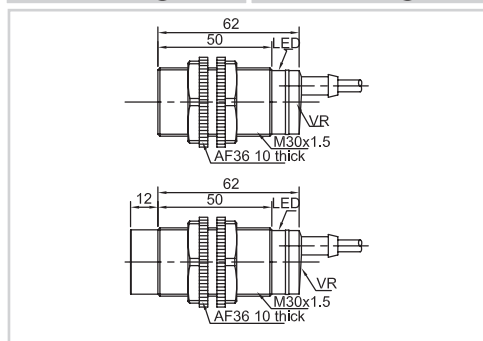


Item Code	CR30S		CR30S	
Mounting	● Flush	○ Non-flush	● Flush	○ Non-flush
Sensing distance	10mm	15mm	10mm	15mm



Output	NPN NO	CR30SCF10DNO	CR30SCN15DNO	CR30SCF10DNO-E2	CR30SCN15DNO-E2
	NPN NC	CR30SCF10DNC	CR30SCN15DNC	CR30SCF10DNC-E2	CR30SCN15DNC-E2
	NPN NO+NC	CR30SCF10DNR	CR30SCN15DNR	CR30SCF10DNR-E2	CR30SCN15DNR-E2
Output	PNP NO	CR30SCF10DPO	CR30SCN15DPO	CR30SCF10DPO-E2	CR30SCN15DPO-E2
	PNP NC	CR30SCF10DPC	CR30SCN15DPC	CR30SCF10DPC-E2	CR30SCN15DPC-E2
	PNP NO+NC	CR30SCF10DPR	CR30SCN15DPR	CR30SCF10DPR-E2	CR30SCN15DPR-E2

Technical Parameter				
Supply voltage	10...30 VDC	10...30 VDC	10...30 VDC	10...30 VDC
Switch point drift	< ±20% Sr	< ±20% Sr	< ±20% Sr	< ±20% Sr
Load current	<200mA	<200mA	<200mA	<200mA
Voltage drop	<2.5V	<2.5V	<2.5V	<2.5V
Consumption current	<15mA	<15mA	<15mA	<15mA
Hysteresis	3...20%	3...20%	3...20%	3...20%
Repeat accuracy	<3%	<3%	<3%	<3%
Frequency	50Hz	50Hz	50Hz	50Hz
Output indicator	Yellow LED	Yellow LED	Yellow LED	Yellow LED
Polarity protection	yes	yes	yes	yes
Impulse voltage withstand	1000V/AC 50/60Hz 60s	1000V/AC 50/60Hz 60s	1000V/AC 50/60Hz 60s	1000V/AC 50/60Hz 60s
Short-circuit protection	yes	yes	yes	yes
Ambient temperature	-25...+70°C	-25...+70°C	-25...+70°C	-25...+70°C
Ambient moisture	35...95%	35...95%	35...95%	35...95%
Protection degree	IP67	IP67	IP67	IP67
Housing material	PBT	PBT	PBT	PBT
Connection	2m PVC Cable	2m PVC Cable	M12 Connector	M12 Connector
Certification	CE U <sub>L</sub>	CE U <sub>L</sub>	CE U <sub>L</sub>	CE U <sub>L</sub>

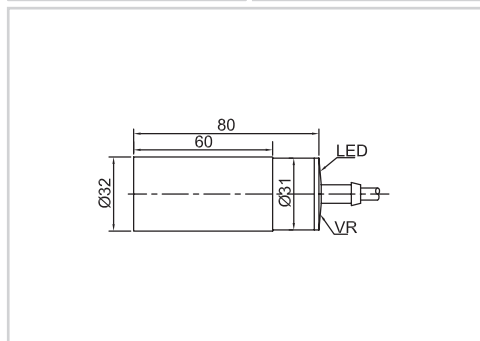
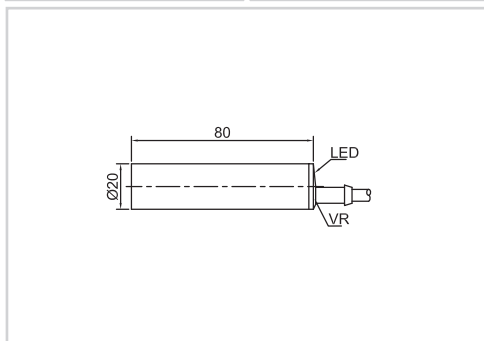


Item Code	CQ20S		CQ32S	
Mounting	● Flush	◐ Non-flush	● Flush	◐ Non-flush
Sensing distance	10mm	15mm	15mm	20mm



Output	NPN NO	CQ20SCF10DNO	CQ20SCN15DNO	CQ32SCF15DNO	CQ32SCN20DNO
	NPN NC	CQ20SCF10DNC	CQ20SCN15DNC	CQ32SCF15DNC	CQ32SCN20DNC
	NPN NO+NC	CQ20SCF10DNR	CQ20SCN15DNR	CQ32SCF15DNR	CQ32SCN20DNR
Output	PNP NO	CQ20SCF10DPO	CQ20SCN15DPO	CQ32SCF15DPO	CQ32SCN20DPO
	PNP NC	CQ20SCF10DPC	CQ20SCN15DPC	CQ32SCF15DPC	CQ32SCN20DPC
	PNP NO+NC	CQ20SCF10DPR	CQ20SCN15DPR	CQ32SCF15DPR	CQ32SCN20DPR

Technical Parameter				
Supply voltage	10...30 VDC	10...30 VDC	10...30 VDC	10...30 VDC
Switch point drift	< ±20% Sr	< ±20% Sr	< ±20% Sr	< ±20% Sr
Load current	<200mA	<200mA	<200mA	<200mA
Voltage drop	<2.5V	<2.5V	<2.5V	<2.5V
Consumption current	<15mA	<15mA	<15mA	<15mA
Hysteresis	3...20%	3...20%	3...20%	3...20%
Repeat accuracy	<3%	<3%	<3%	<3%
Frequency	50Hz	50Hz	50Hz	50Hz
Output indicator	Yellow LED	Yellow LED	Yellow LED	Yellow LED
Polarity protection	yes	yes	yes	yes
Impulse voltage withstand	1000V/AC 50/60Hz 60s	1000V/AC 50/60Hz 60s	1000V/AC 50/60Hz 60s	1000V/AC 50/60Hz 60s
Short-circuit protection	yes	yes	yes	yes
Ambient temperature	-25...+70°C	-25...+70°C	-25...+70°C	-25...+70°C
Ambient moisture	35...95%	35...95%	35...95%	35...95%
Protection degree	IP67	IP67	IP67	IP67
Housing material	PBT	PBT	PBT	PBT
Connection	2m PVC Cable	2m PVC Cable	2m PVC Cable	2m PVC Cable
Certification	CE U <sub>L</sub>	CE U <sub>L</sub>	CE U <sub>L</sub>	CE U <sub>L</sub>



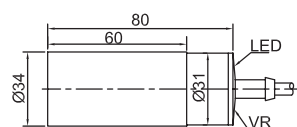


Item Code	CQ34S			
Mounting	● Flush	◐ Non-flush		
Sensing distance	15mm	20mm		



Output	NPN NO	CQ34SCF15DNO	CQ34SCN20DNO		
	NPN NC	CQ34SCF15DNC	CQ34SCN20DNC		
	NPN NO+NC	CQ34SCF15DNR	CQ34SCN20DNR		
Output	PNP NO	CQ34SCF15DPO	CQ34SCN20DPO		
	PNP NC	CQ34SCF15DPC	CQ34SCN20DPC		
	PNP NO+NC	CQ34SCF15DPR	CQ34SCN20DPR		

Technical Parameter				
Supply voltage	10...30 VDC	10...30 VDC		
Switch point drift	< ±20% Sr	< ±20% Sr		
Load current	<200mA	<200mA		
Voltage drop	<2.5V	<2.5V		
Consumption current	<15mA	<15mA		
Hysteresis	3...20%	3...20%		
Repeat accuracy	<3%	<3%		
Frequency	50Hz	50Hz		
Output indicator	Yellow LED	Yellow LED		
Polarity protection	yes	yes		
Impulse voltage withstand	1000V/AC 50/60Hz 60s	1000V/AC 50/60Hz 60s		
Short-circuit protection	yes	yes		
Ambient temperature	-25...+70°C	-25...+70°C		
Ambient moisture	35...95%	35...95%		
Protection degree	IP67	IP67		
Housing material	PBT	PBT		
Connection	2m PVC Cable	2m PVC Cable		
Certification	CE	CE		



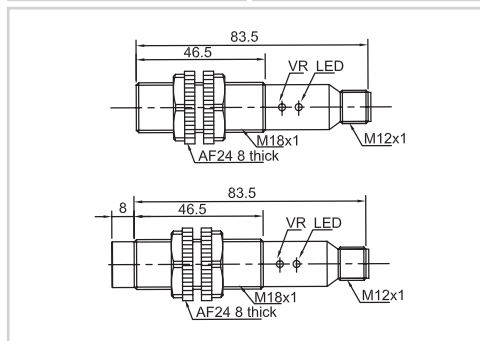
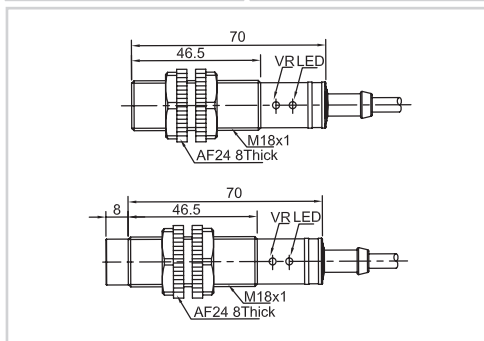
Item Code	CR18S		CR18S	
Mounting	● Flush	◐ Non-flush	● Flush	◐ Non-flush
Sensing distance	5mm	8mm	5mm	8mm



Output	AC 2Wires NO	CR18SCF05ATO	CR18SCN08ATO	CR18SCF05ATO-E2	CR18SCN08ATO-E2
	AC 2Wires NC	CR18SCF05ATC	CR18SCN08ATC	CR18SCF05ATC-E2	CR18SCN08ATC-E2

### Technical Parameter

Supply voltage	20...250 VAC	20...250 VAC	20...250 VAC	20...250 VAC
Switch point drift	< ±20% Sr	< ±20% Sr	< ±20% Sr	< ±20% Sr
Load current	<300mA	<300mA	<300mA	<300mA
Voltage drop	<10V	<10V	<10V	<10V
Consumption current	<3mA	<3mA	<3mA	<3mA
Hysteresis	3...20%	3...20%	3...20%	3...20%
Repeat accuracy	<3%	<3%	<3%	<3%
Frequency	15Hz	15Hz	15Hz	15Hz
Output indicator	Yellow LED	Yellow LED	Yellow LED	Yellow LED
Polarity protection	...	...	...	...
Impulse voltage withstand	2000V/AC 50/60Hz 60s	2000V/AC 50/60Hz 60s	2000V/AC 50/60Hz 60s	2000V/AC 50/60Hz 60s
Short-circuit protection	...	...	...	...
Ambient temperature	-25...+70°C	-25...+70°C	-25...+70°C	-25...+70°C
Ambient moisture	35...95%	35...95%	35...95%	35...95%
Protection degree	IP67	IP67	IP67	IP67
Housing material	PBT	PBT	PBT	PBT
Connection	2m PVC Cable	2m PVC Cable	M12 Connector	M12 Connector
Certification	CE U <sub>L</sub> CCC	CE U <sub>L</sub> CCC	CE U <sub>L</sub> CCC	CE U <sub>L</sub> CCC



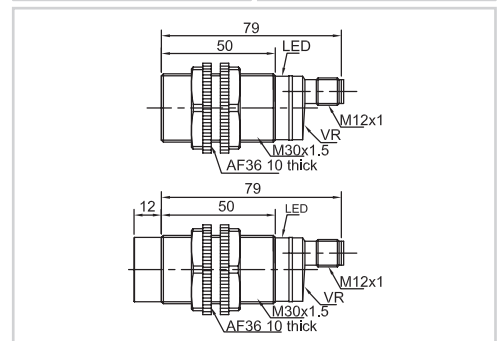
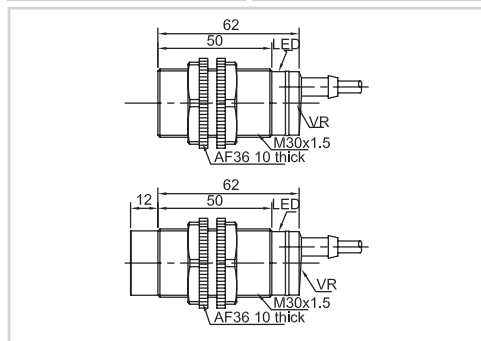
Item Code	CR30S		CR30S	
Mounting	● Flush	◐ Non-flush	● Flush	◐ Non-flush
Sensing distance	10mm	15mm	10mm	15mm



Output	AC 2Wires NO	CR30SCF10ATO	CR30SCN15ATO	CR30SCF10ATO-E2	CR30SCN15ATO-E2
	AC 2Wires NC	CR30SCF10ATC	CR30SCN15ATC	CR30SCF10ATC-E2	CR30SCN15ATC-E2

### Technical Parameter

Supply voltage	20...250 VAC	20...250 VAC	20...250 VAC	20...250 VAC
Switch point drift	< ±20% Sr	< ±20% Sr	< ±20% Sr	< ±20% Sr
Load current	<300mA	<300mA	<300mA	<300mA
Voltage drop	<10V	<10V	<10V	<10V
Consumption current	<3mA	<3mA	<3mA	<3mA
Hysteresis	3...20%	3...20%	3...20%	3...20%
Repeat accuracy	<3%	<3%	<3%	<3%
Frequency	15Hz	15Hz	15Hz	15Hz
Output indicator	Yellow LED	Yellow LED	Yellow LED	Yellow LED
Polarity protection	...	...	...	...
Impulse voltage withstand	2000V/AC 50/60Hz 60s	2000V/AC 50/60Hz 60s	2000V/AC 50/60Hz 60s	2000V/AC 50/60Hz 60s
Short-circuit protection	...	...	...	...
Ambient temperature	-25...+70°C	-25...+70°C	-25...+70°C	-25...+70°C
Ambient moisture	35...95%	35...95%	35...95%	35...95%
Protection degree	IP67	IP67	IP67	IP67
Housing material	PBT	PBT	PBT	PBT
Connection	2m PVC Cable	2m PVC Cable	M12 Connector	M12 Connector
Certification	CE U <sub>L</sub> CCC	CE U <sub>L</sub> CCC	CE U <sub>L</sub> CCC	CE U <sub>L</sub> CCC



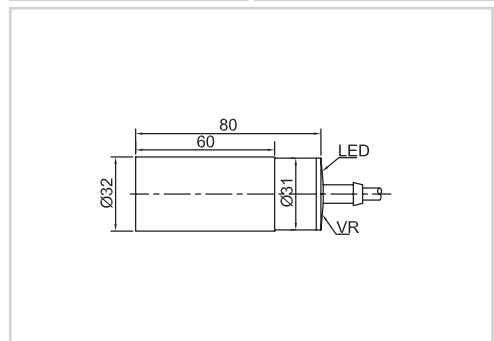
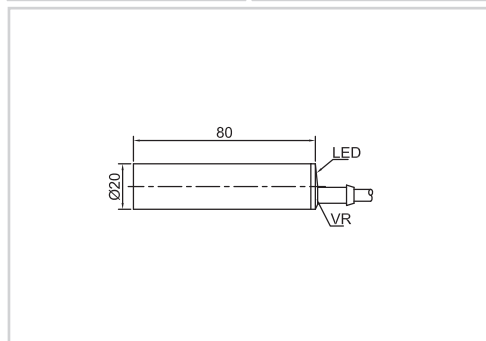
Item Code	CQ20S		CQ32S	
Mounting	● Flush	◐ Non-flush	● Flush	◐ Non-flush
Sensing distance	10mm	15mm	15mm	20mm



Output	AC 2Wires NO	CQ20SCF10ATO	CQ20SCN15ATO	CQ32SCF15ATO	CQ32SCN20ATO
	AC 2Wires NC	CQ20SCF10ATC	CQ20SCN15ATC	CQ32SCF15ATC	CQ32SCN20ATC

### Technical Parameter

Supply voltage	20...250 VAC	20...250 VAC	20...250 VAC	20...250 VAC
Switch point drift	< ±20% Sr	< ±20% Sr	< ±20% Sr	< ±20% Sr
Load current	<300mA	<300mA	<300mA	<300mA
Voltage drop	<10V	<10V	<10V	<10V
Consumption current	<3mA	<3mA	<3mA	<3mA
Hysteresis	3...20%	3...20%	3...20%	3...20%
Repeat accuracy	<3%	<3%	<3%	<3%
Frequency	15Hz	15Hz	15Hz	15Hz
Output indicator	Yellow LED	Yellow LED	Yellow LED	Yellow LED
Polarity protection	...	...	...	...
Impulse voltage withstand	2000V/AC 50/60Hz 60s	2000V/AC 50/60Hz 60s	2000V/AC 50/60Hz 60s	2000V/AC 50/60Hz 60s
Short-circuit protection	...	...	...	...
Ambient temperature	-25...+70°C	-25...+70°C	-25...+70°C	-25...+70°C
Ambient moisture	35...95%	35...95%	35...95%	35...95%
Protection degree	IP67	IP67	IP67	IP67
Housing material	PBT	PBT	PBT	PBT
Connection	2m PVC Cable	2m PVC Cable	2m PVC Cable	2m PVC Cable
Certification	CE U <sub>L</sub>	CE U <sub>L</sub>	CE U <sub>L</sub> CCC	CE U <sub>L</sub> CCC



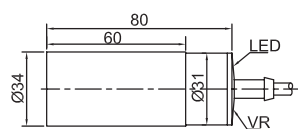
Item Code	CQ34S	
Mounting	● Flush	◐ Non-flush
Sensing distance	15mm	20mm



Output	AC 2Wires NO	CQ34SCF15ATO	CQ34SCN20ATO
	AC 2Wires NC	CQ34SCF15ATC	CQ34SCN20ATC

### Technical Parameter

Supply voltage	20...250 VAC	20...250 VAC
Switch point drift	< ±20% Sr	< ±20% Sr
Load current	<300mA	<300mA
Voltage drop	<10V	<10V
Consumption current	<3mA	<3mA
Hysteresis	3...20%	3...20%
Repeat accuracy	<3%	<3%
Frequency	15Hz	15Hz
Output indicator	Yellow LED	Yellow LED
Polarity protection	...	...
Impulse voltage withstand	2000V/AC 50/60Hz 60s	2000V/AC 50/60Hz 60s
Short-circuit protection	...	...
Ambient temperature	-25...+70°C	-25...+70°C
Ambient moisture	35...95%	35...95%
Protection degree	IP67	IP67
Housing material	PBT	PBT
Connection	2m PVC Cable	2m PVC Cable
Certification	CE	CE



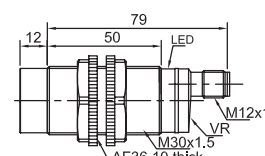
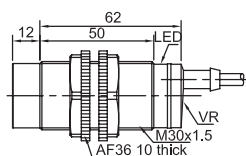
Item Code	CR30S	CR30S
Mounting	● Non-flush	● Non-flush
Sensing distance	15mm	15mm



Output	AC/DC 2Wires NO	CR30SCN15SBO	CR30SCN15SBO-E2
	AC/DC 2Wires NC	CR30SCN15SBC	CR30SCN15SBC-E2

### Technical Parameter

Supply voltage	20...250 VAC/DC	20...250 VAC/DC
Switch point drift	< ±20% Sr	< ±20% Sr
Load current	AC: <300mA, DC: <100mA	AC: <300mA, DC: <100mA
Voltage drop	AC: <10V, DC: <8V	AC: <10V, DC: <8V
Consumption current	AC: <3mA, DC: <1mA	AC: <3mA, DC: <1mA
Hysteresis	3...20%	3...20%
Repeat accuracy	<3%	<3%
Frequency	AC: 15Hz, DC: 40Hz	AC: 15Hz, DC: 40Hz
Output indicator	Yellow LED	Yellow LED
Polarity protection	...	...
Impulse voltage withstand	2000V/AC 50/60Hz 60s	2000V/AC 50/60Hz 60s
Short-circuit protection	...	...
Ambient temperature	-25...+70°C	-25...+70°C
Ambient moisture	35...95%	35...95%
Protection degree	IP67	IP67
Housing material	PBT	PBT
Connection	2m PVC Cable	M12 Connector
Certification	CE	CE



Item Code	CQ32S	CQ34S
Mounting	● Non-flush	● Non-flush
Sensing distance	20mm	20mm



Output	AC/DC 2Wires NO	CQ32SCN20SBO	CQ34SCN20SBO
	AC/DC 2Wires NC	CQ32SCN20SBC	CQ34SCN20SBC

### Technical Parameter

Supply voltage	20...250 VAC/DC	20...250 VAC/DC
Switch point drift	< ±20% Sr	< ±20% Sr
Load current	AC: <300mA, DC: <100mA	AC: <300mA, DC: <100mA
Voltage drop	AC: <10V, DC: <8V	AC: <10V, DC: <8V
Consumption current	AC: <3mA, DC: <1mA	AC: <3mA, DC: <1mA
Hysteresis	3...20%	3...20%
Repeat accuracy	<3%	<3%
Frequency	AC: 15Hz, DC: 40Hz	AC: 15Hz, DC: 40Hz
Output indicator	Yellow LED	Yellow LED
Polarity protection	...	...
Impulse voltage withstand	2000V/AC 50/60Hz 60s	2000V/AC 50/60Hz 60s
Short-circuit protection	...	...
Ambient temperature	-25...+70°C	-25...+70°C
Ambient moisture	35...95%	35...95%
Protection degree	IP67	IP67
Housing material	PBT	PBT
Connection	2m PVC Cable	2m PVC Cable
Certification	CE	CE

